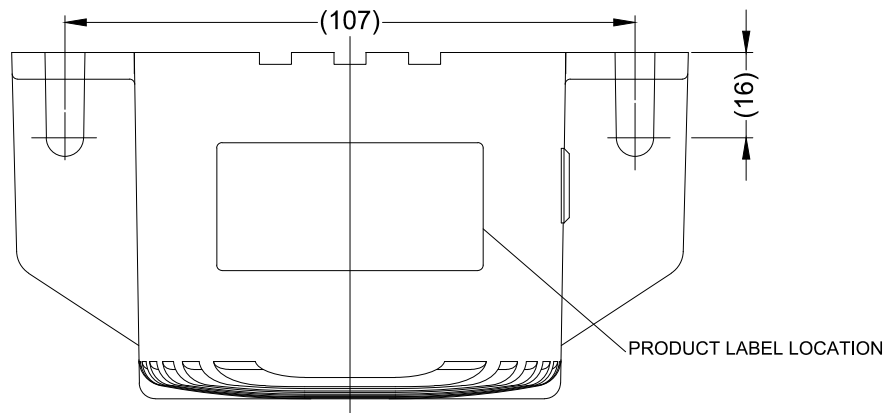
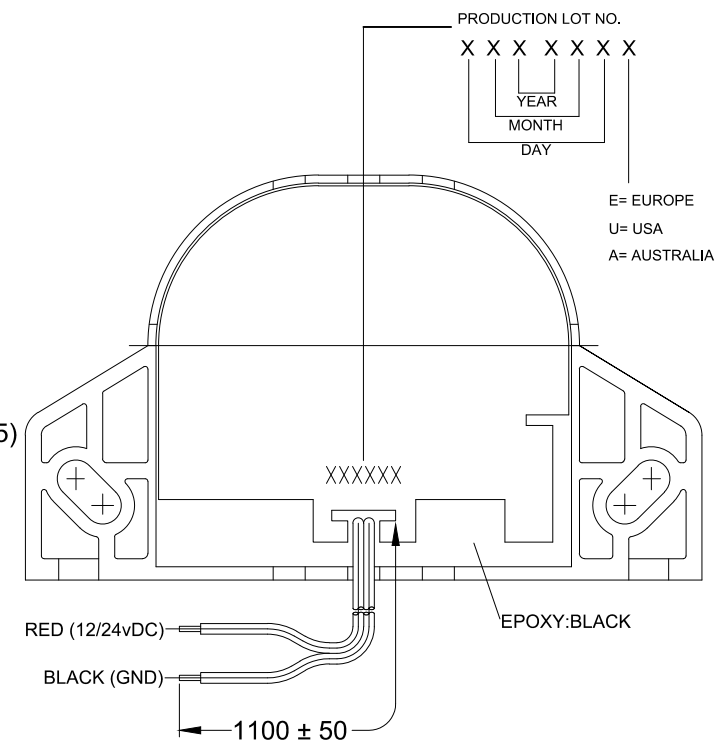
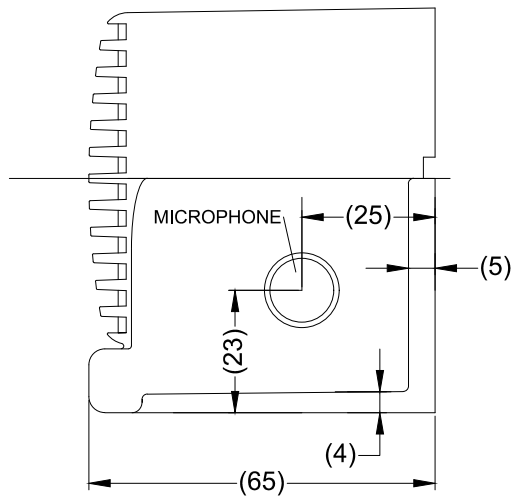
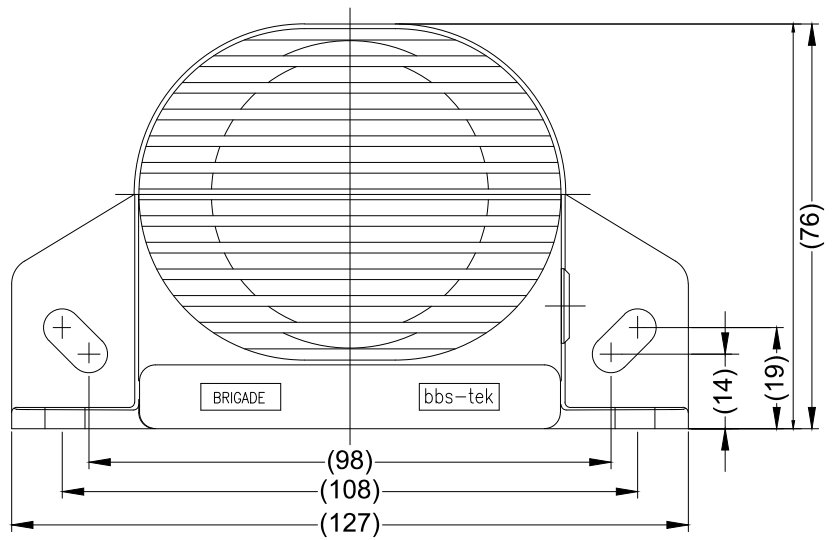


Revision Notes:				
R1 -				
APA:	Drawn:	Checked:	Approved:	Date:



SPECIFICATION:

1. RATED VOLTAGE : 12*24 VOLTS DIRECT CURRENT (WORKING VOLTAGE RANGE 10THRU 32 VOLTS)
2. TEST VOLTAGE : 14*28 VOLTS DIRECT CURRENT
3. RATED CURRENT : 1 AMPERES OR LESS
4. SOUND PRESSURE AT TEST VOLTAGE : MAX 97±4dB(A) - MIN 77±4dB(A) @ 1.2M
5. SOUND PRESSURE SELF-ADJUSTING : +5dB±4dB TO EXTERNAL NOISE
6. TONE:WHITE SOUND (BBS)
7. INTERMITTENCE:70±10 CYCLES PER MINUTE AT TEST VOLTAGES
8. RANGE OF OPERATING TEMP.GUARANTEED:-40°C THRU 85°C
9. ENVIORNMENTAL TESTS: SAE J994.



NOTES:
 1. "R TRIANGLE" INDICATES CHANGES MADE TO REVISION OF DRAWING AS IDENTIFIED IN REVISION NOTES.
 2. FOR PACKAGING & LABELLING DETAIL REFER TO THE LATEST REVISION OF THE MASTER BOM AND DRAWINGS.

PROPRIETARY NOTICE
 THIS DESIGN AND TECHNICAL INFORMATION APPEARING ON THIS DRAWING IS THE PROPERTY OF BRIGADE ELECTRONICS, AND IS DISCLOSED IN CONFIDENCE. IT IS NOT TO BE COPIED, REPRODUCED, REVEALED TO OR EXPROPRIATED BY OTHERS, EITHER IN WHOLE OR IN PART WITHOUT THE EXPRESS WRITTEN CONSENT OF BRIGADE ELECTRONICS.



Assembly Pl Approval W. FUKUZAWA	Approved by A. KEBEDE	Checked by E. MATHEW	Drawn by J. YU
Angle of Projection 	Units mm	Scale N/A	Released 17/03/2025
Status RELEASED	Assembly Ref SA-BBS-97		
Part No 1399A	BE-005029-00-25		